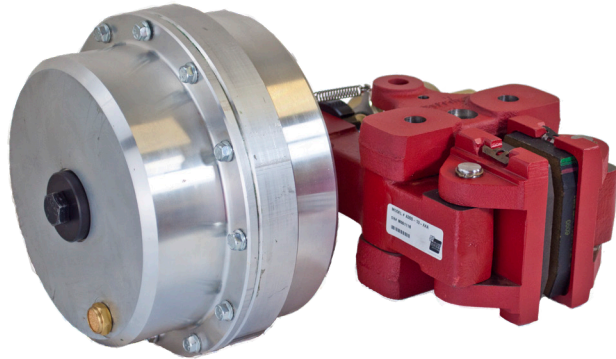




Hilliard® Brake Model:

A300-T300 SH

Technical Data Sheet



Spring Applied, Hydraulically Released Caliper Brakes

A300-T300 SH Brake Caliper

The A300 is an arm style caliper brake designed to accept a large selection of Hilliard thrusters. These thrusters include spring applied hydraulic released, spring applied pneumatic released, hydraulic applied spring released, and pneumatic applied spring released. The A300 requires a minimum disc diameter of 12" and is offered in 4 sizes to accommodate a 1/2", 1", 1-3/16", and 1-1/2" thick disc. The design of the caliper allows the user to quickly convert between right and left handed designs eliminating the need for multiple part numbers.

The SH thruster is a failsafe thruster that is spring applied hydraulically released. The spring applied thrusters are offered in multiple sizes to meet the needs of our customers.

The T300 SH thruster produces a maximum braking force of 3180 pounds at the maximum operating pressure of 1450 psi with a maximum pressure of 1700 psi when used with the A300 Caliper.

A300 Caliper T300SH Thruster Specifications:

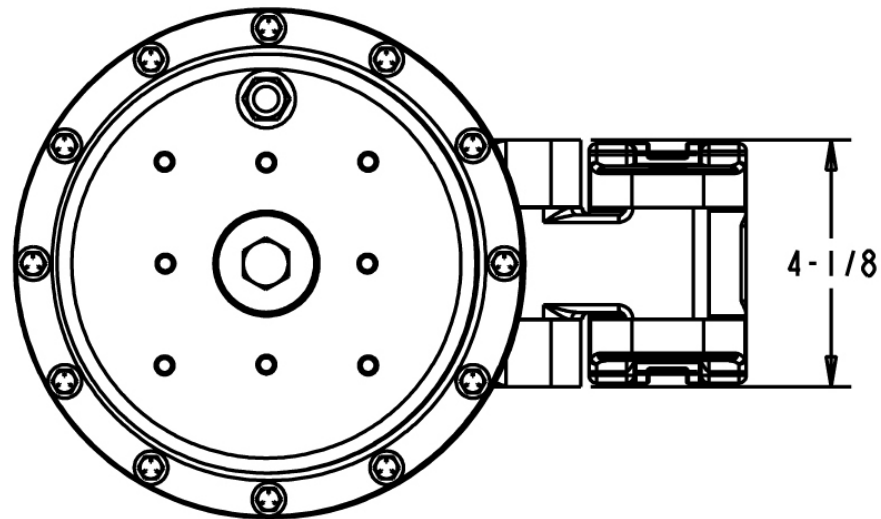
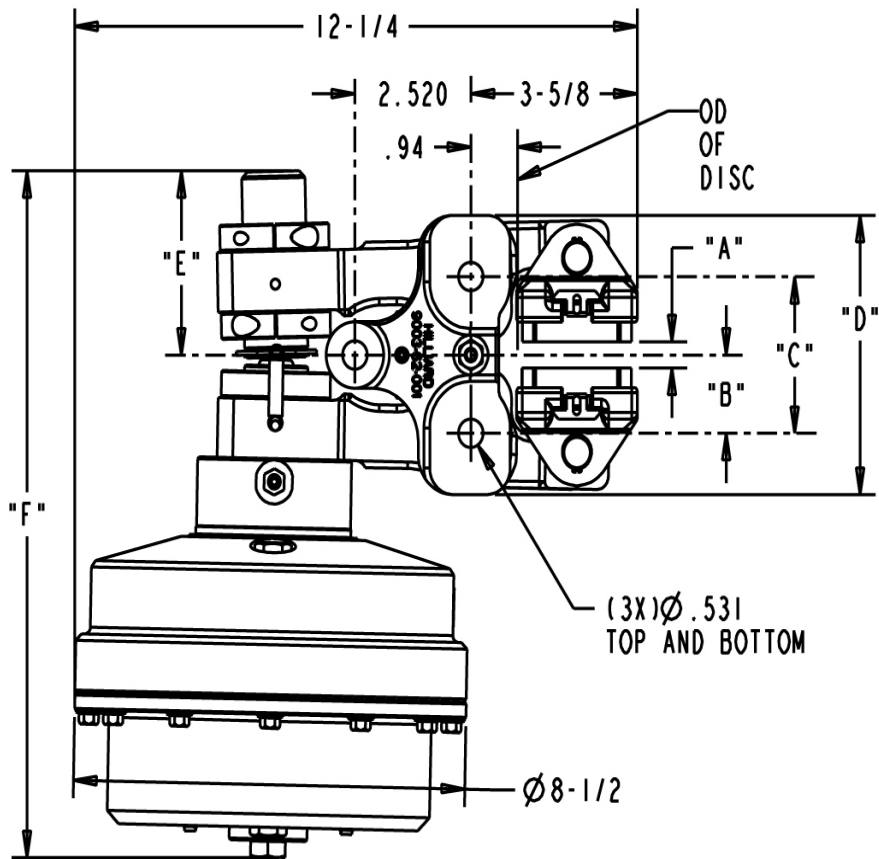
Total Brake Weight: 48 lbs. (21.6 kg)

Caliper Weight: 24 lbs. (10.8 kg) Thruster Weight: 24 lbs. (10.8 kg)

Friction Pad Area: 16 SQ. IN. [103 SQ Cm]

Oil Volume: .40 in.³ at Recommended Gap Setting

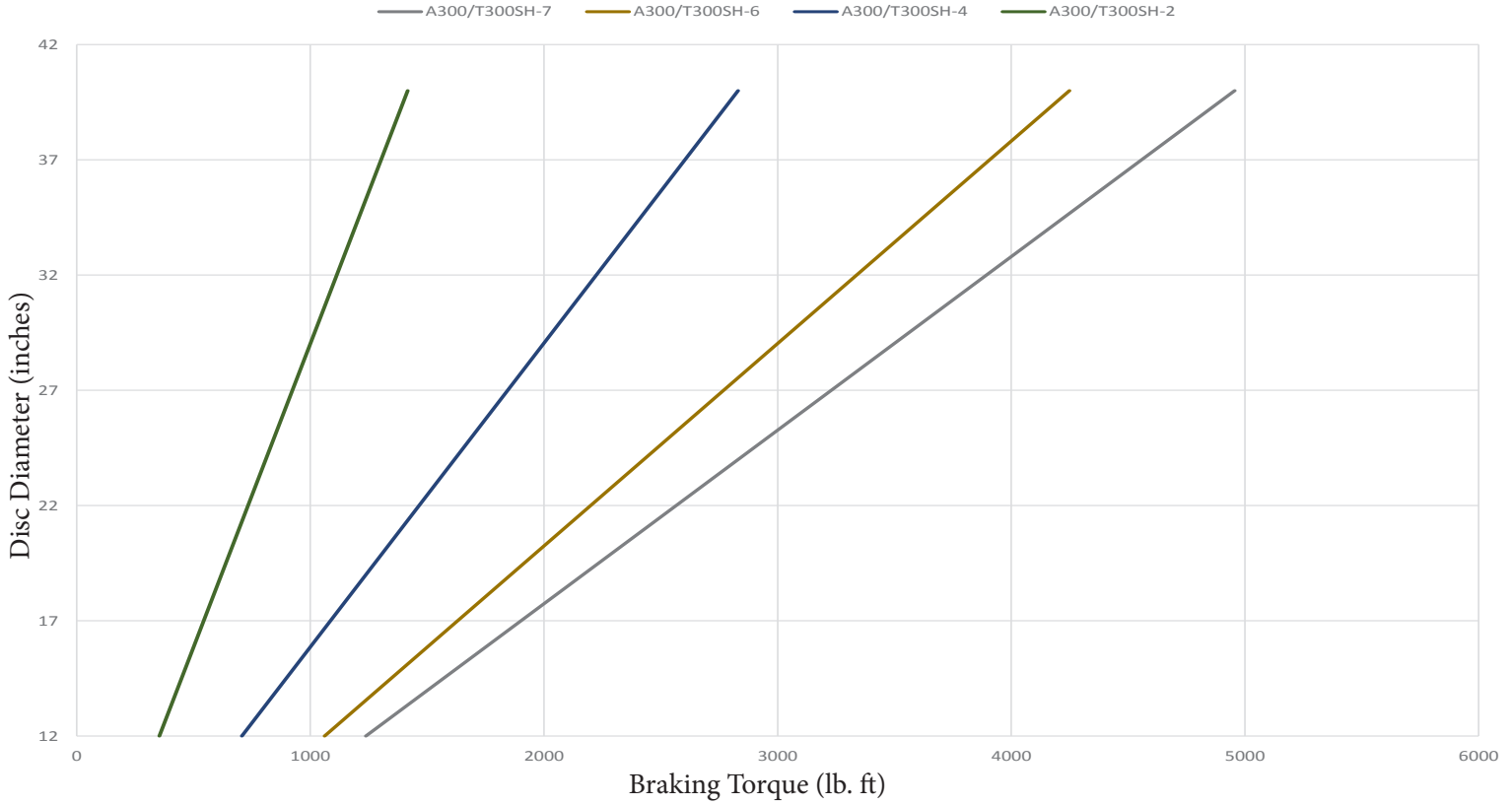
Brake Path: 2.625 in (67 mm)



A300 CALIPER WITH T300 SH THRUSTER

Caliper Model	"A" Disc Thickness	"B"	"C"	"D"	"E"	"F"
A300-13	1/2"	1.48"	2.95"	5- 1/4"	4"	13- 7/16"
A300-24	1"	1.66"	3.31"	5- 9/16"	4"	13- 1/2"
A300-30	1- 3/16"	1.48"	2.95"	5- 13/16"	4"	13- 9/16"
A300-40	1- 1/2"	1.66"	3.31"	6- 1/16"	3.5"	13- 3/4"

A300-T300SH



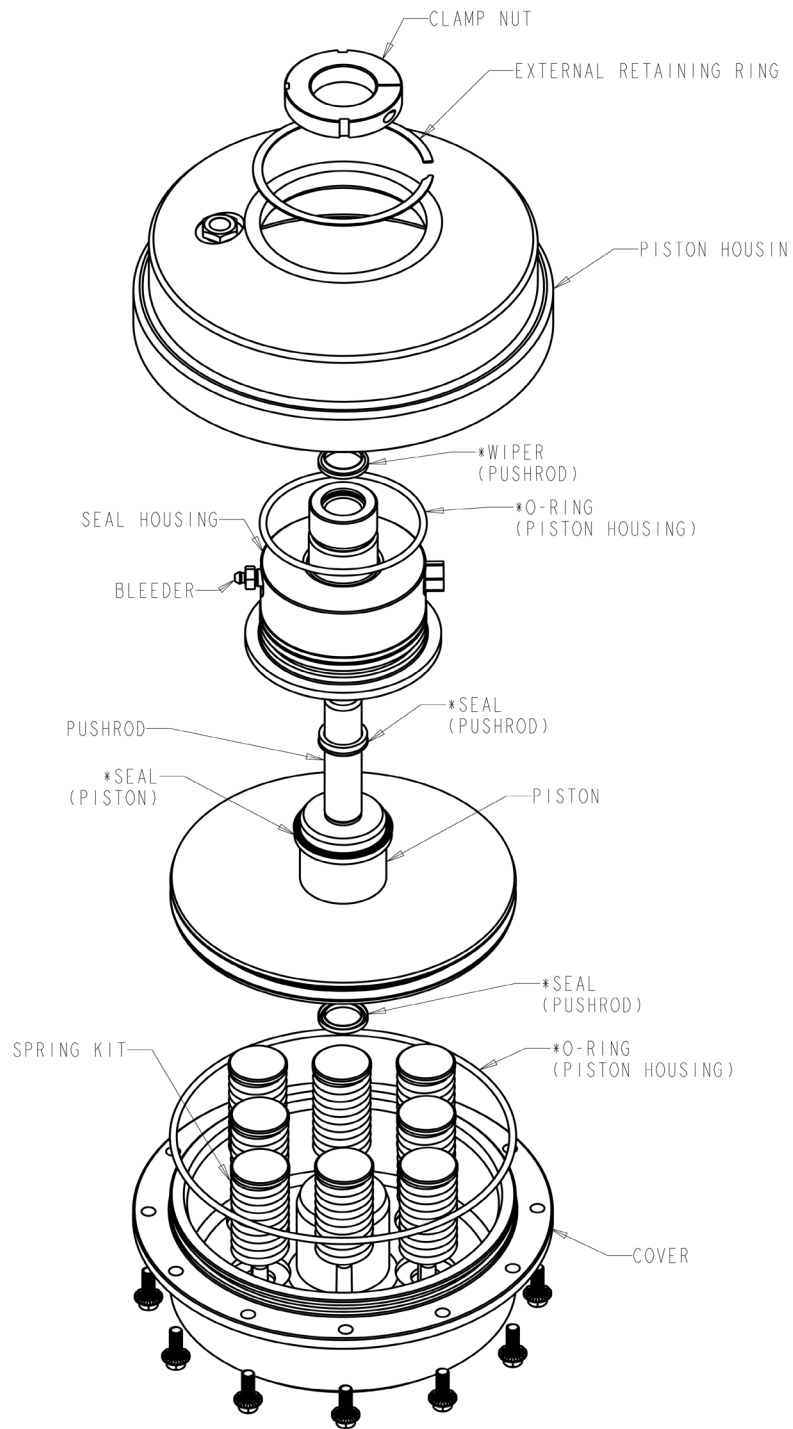
SPRING APPLIED / HYDRAULIC RELEASE T300SH THRUSTER

THRUSTER Model	Retract Pressure	Operating Pressure	Braking Torque
T300SH-7-AA	1450 psi/ 100 Bar	1700 psi/ 117 Bar	266*(Disc Radius(in)-1.34)
T300SH-6-AA	1290 psi/ 90 Bar	1600 psi/ 110 Bar	228* (Disc Radius(in)-1.34)
T300SH-4-AA	860 psi/ 60 Bar	1075 psi/ 74 Bar	152* (Disc Radius(in)-1.34)
T300SH-2-AA	430 psi/ 30 Bar	540 psi/ 37 Bar	76*(Disc Radius(in)-1.34)

Maximum Pressure: 1700 psi

SH Thruster: Spring Applied / Hydraulically Released

SH THRUSTER



* RECOMMENDED SPARE PART (SEALS & O-RINGS AVAILABLE AS A KIT)

The Hilliard Corporation
100 West 4th St.
Elmira, NY 14902-1504 USA
PH: 607-733-7121 FAX: 607-737-1108
www.hilliardbrakesystems.com
hilliard@hilliardcorp.com



YOUR LOCAL REPRESENTATIVE:



08/18 TDS-A300-T300 SH